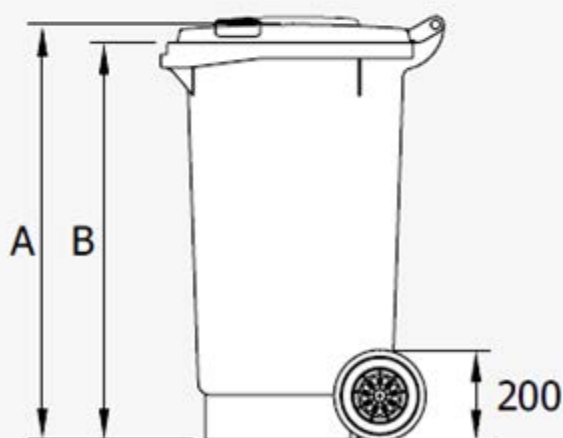
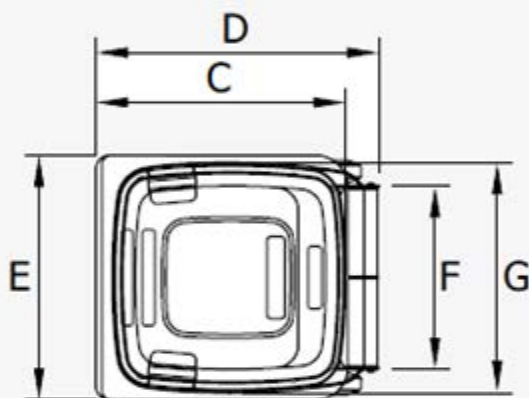


Dimensions - Weights - Standards

■ Nominal volume:	140 litres
■ Net weight:	approx 10.4 kg
■ Max load:	56 kg
■ Permitted total weight:	70 kg

■ A	915 mm	■ D	615 mm	■ G	505 mm
■ B	870 mm	■ E	535 mm		
■ C	550 mm	■ F	395 mm		

Measurements to be used as a guide only – variations will occur

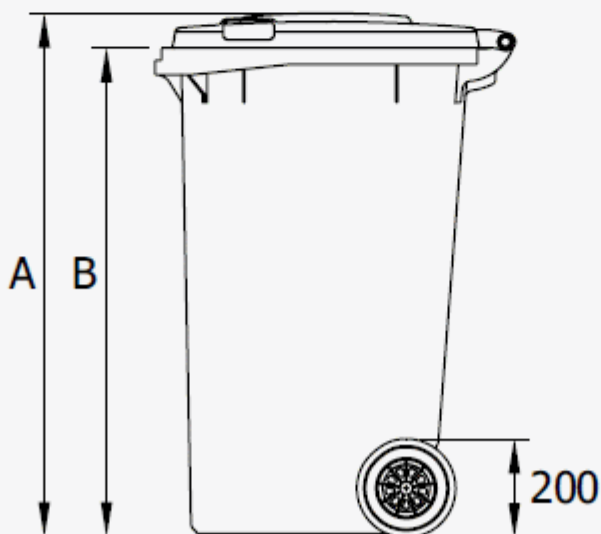
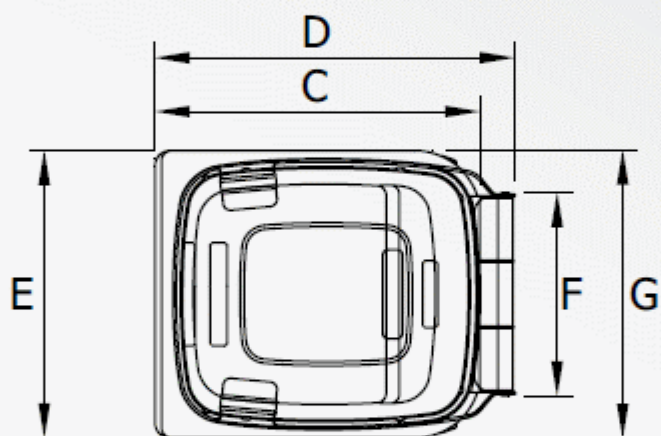


Dimensions - Weights - Standards

■ Nominal volume:	240 litres
■ Net weight:	approx 13 kg
■ Max load:	96 kg
■ Permitted total weight:	110 kg

■ A	1060 mm	■ D	730 mm	■ G	550 mm
■ B	990mm	■ E	585 mm		
■ C	660 mm	■ F	400 mm		

Measurements to be used as a guide only – variations will occur



Dimensions - Weights - Standards

■ Nominal volume:	1100 litres
■ Net weight:	approx. 65 kg
■ Max. load:	440 kg
■ Permitted total weight:	510 kg

Measurements to be used as a guide only -variations will occur

